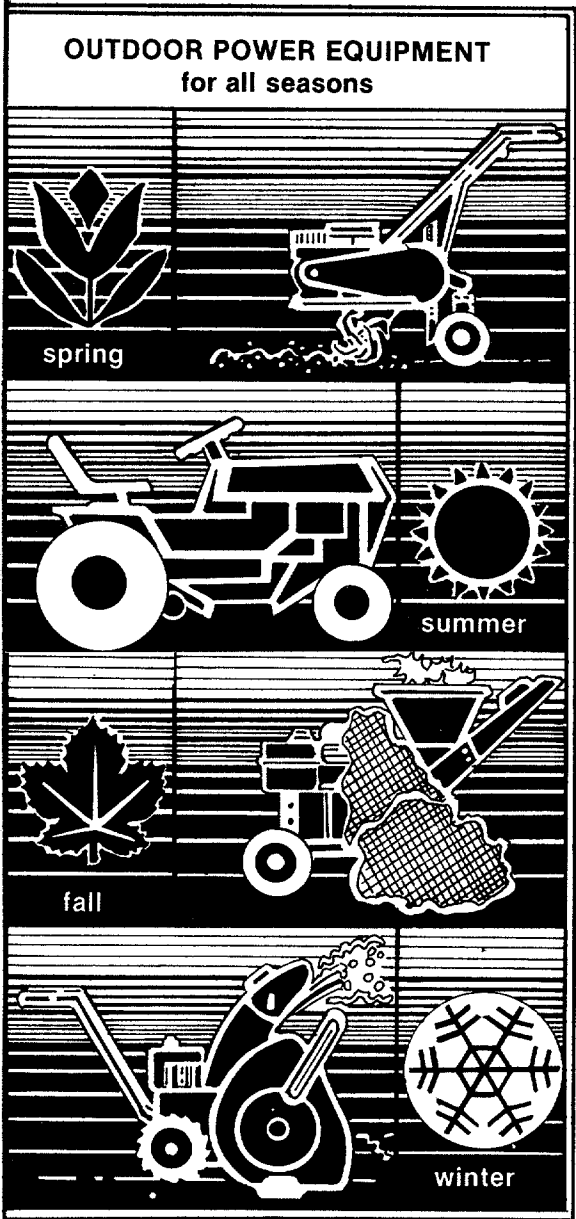


OWNER'S GUIDE



**2 H.P.
EDGER**

**Model Numbers
245-596-000
24596S**

**Important:
Read Safety Rules and
Instructions Carefully**

Thank you for purchasing
an American-built product.

INDEX

Safe Operation Practices	3	Maintenance	8
Assembly Instructions	4	Off-Season Storage	9
Operation	7	Troube Shooting Chart	9
Adjustments	7	Illustrated Parts	10
Lubrication	8	Replacement Parts List	11



Instructions given with this symbol are for personal safety. Be sure to follow them.

LIMITED WARRANTY

For one year from the date of original retail purchase, MTD PRODUCTS INC will either repair or replace, at its option, free of charge, F.O.B. factory or authorized service firm, any part or parts found to be defective in material or workmanship. Transportation charges for the movement of any power equipment unit or attachment are the responsibility of the purchaser. Transportation charges for any parts submitted for replacement under this warranty must be paid by the purchaser unless such return is requested by MTD PRODUCTS INC.

This warranty will not apply to any part which has become inoperative due to misuse, excessive use, accident, neglect, improper maintenance, alterations, or unless the unit has been operated and maintained in accordance with the instructions furnished. This warranty does not apply to the engine, motor, battery, battery charger or component parts thereof. Please refer to the applicable manufacturer's warranty on these items.

This warranty will not apply where the unit has been used commercially.

Warranty service is available through your local authorized service dealer or distributor. If you do not know the dealer or distributor in your area, please write to the Customer Service Department of MTD.

The return of a complete unit will not be accepted by the factory unless prior written permission has been extended by MTD.

This warranty gives you specific legal rights. You may also have other rights which vary from state to state.



This unit is equipped with an internal combustion engine and should not be used on or near any unimproved forest-covered, brush-covered or grass-covered land unless the engine's exhaust system is equipped with a spark arrester meeting applicable local or state laws (if any). If a spark arrester is used, it should be maintained in effective working order by the operator.

In the State of California the above is required by law (Section 4442 of the California Public Resources Code). Other states may have similar laws. Federal laws apply on federal lands. A spark arrester muffler is available at your nearest engine authorized service center.



To reduce the potential for any injury, comply with the following safety instructions. Failure to comply with the instructions may result in personal injury.

SAFE OPERATION PRACTICES FOR EDGERS

TRAINING

1. Read this owner's manual carefully in its entirety before attempting to assemble or operate this machine. Be completely familiar with the controls and the proper use of this machine before operating it. Keep this manual in a safe place for future and regular reference and for ordering replacement parts.
2. Your edger is a precision piece of power equipment, not a plaything. Therefore, exercise extreme caution at all times.
3. Never allow children to operate a power edger. Only persons well acquainted with these rules of safe operation should be allowed to use your edger.
4. Keep the area of operation clear of all persons, particularly small children and pets. Stop engine when they are in the vicinity of your edger. Although the area of operation should be completely cleared of foreign objects, an object may have been overlooked and could be accidentally thrown by the edger in any direction and cause serious personal injury to the operator or any others allowed in the area.
5. No one should operate this unit while intoxicated or while taking medication that impairs the senses or reactions.

PREPARATION

1. Thoroughly inspect the area where the equipment is to be used. Remove all stones, sticks, wire, bones and other foreign objects which could be picked up and thrown by the edger in any direction and cause serious personal injury to the operator or any others allowed in the area.
2. Do not operate equipment when barefoot or wearing open sandals. Always wear substantial footwear.
3. Check the fuel before starting the engine. Gasoline is an extremely flammable fuel. Do not fill the gasoline tank indoors, while the engine is running, or while the engine is still hot. Wipe off any spilled gasoline before starting the engine as it may cause a fire or explosion.
4. Disengage the blade clutch on units so equipped before starting the engine.
Never attempt to make a wheel adjustment while the engine is running.
6. Never operate the equipment in wet grass. Always be sure of your footing. A slip and fall can cause serious personal injury. Keep a firm hold on the handle and walk, never run.

OPERATION

1. Never operate this edger unless wearing safety glasses or some other suitable eye protection at all times the engine is running.
2. Do not change the engine governor settings or overspeed the engine.
3. Do not put hands or feet near or under rotating parts. Keep clear of the discharge opening at all times as the rotating blade can cause injury.
4. Stop the blade when crossing gravel drives, walks or roads.
5. After striking a foreign object, stop the engine, remove the wire from the spark plug, and thoroughly inspect the edger for any damage. Repair the damage before restarting and operating the edger.
6. If the equipment should start to vibrate abnormally, stop the engine and check immediately for the cause. Vibration is generally a warning of trouble.
7. Stop the engine whenever you leave the equipment, before cleaning the guard assembly, and when making any repairs or inspections.
8. Before cleaning, repairing or inspecting, make certain the blade and all moving parts have stopped. Disconnect the spark plug wire, and keep the wire away from the spark plug to prevent accidental starting.
9. Do not run the engine indoors.
10. Shut the engine off and wait until the blade comes to a complete stop before unclogging guard assembly.
11. Never operate edger without proper guards, plates or other safety protective devices in place.
12. Always operate the edger so that the protective guard guide is positioned between the walk and the rotating blade. Never allow the rotating blade to operate directly against concrete walk or drive.

MAINTENANCE AND STORAGE

1. Check the blade and engine mounting bolts at frequent intervals for proper tightness.
2. Keep all nuts, bolts, and screws tight to be sure the equipment is in safe working condition.
3. Never store the equipment with gasoline in the tank inside of a building where fumes may reach an open flame or spark. Allow the engine to cool before storing in any enclosure.
4. To reduce fire hazard, keep the engine free of grass, leaves, or excessive grease.



This unit is shipped WITHOUT GASOLINE or OIL. After assembly, see operating section of this manual for proper fuel and engine oil recommendations.

ASSEMBLY



Right and left hand side is determined from behind the edger, in the operator's position.

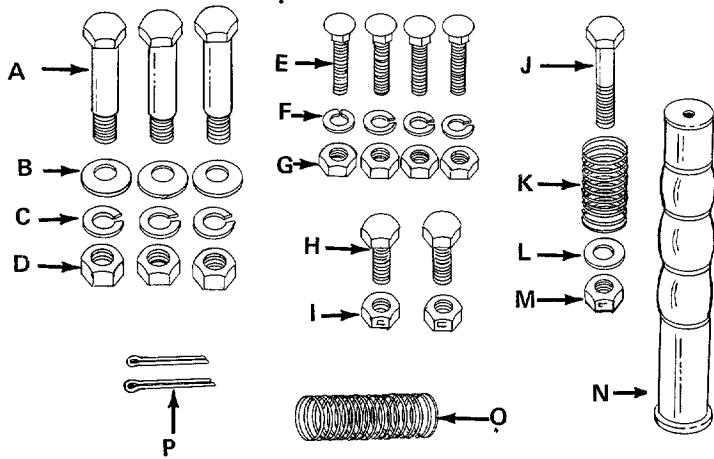


FIGURE 1

TOOLS REQUIRED

- (1) Adjustable wrench or 3/4" open end or box wrench
- (2) 7/16" open end or box wrench
- (1) 9/16" open end or box wrench

CONTENTS OF HARDWARE PACK (See figure 1)

- | | | |
|---|-----|-------------------------------------|
| A | (3) | Shoulder Bolts 3/8-16 Thread |
| B | (3) | Belleville Washers 3/8" I.D. |
| C | (3) | Lock Washers 3/8" I.D. |
| D | (3) | Hex Nuts 3/8-16 Thread |
| E | (4) | Carriage Bolts 1/4-20 x 1 1/4" Long |
| F | (4) | Lock Washers 1/4" I.D. |
| G | (4) | Hex Nuts 1/4-20 Thread |
| H | (2) | Hex Bolts 1/4-20 x 1 1/4" Long |
| I | (2) | Hex Lock Nuts 1/4-20 Thread |
| J | (1) | Hex Bolt 5/16-18 x 1 3/4" Long |
| K | (1) | Compression Spring 1 3/8" Long |
| L | (1) | Flat Washer 5/16" I.D. |
| M | (1) | Hex Lock Nut 5/16-18 Thread |
| N | (1) | Grip |
| O | (1) | Compression Spring 2" Long |
| P | (2) | Cotter Pins |

LOOSE PARTS IN CARTON (See figure 2)

- | | | |
|---|-----|---------------------|
| R | (1) | Upper Handle |
| S | (1) | Clutch Handle |
| T | (1) | Lower Handle |
| U | (1) | Clutch Rod |
| V | (1) | Front Wheel 6" Dia. |
| W | (2) | Rear Wheels 7" Dia. |
| X | (1) | Clutch Plate |

Your new edger is shipped preassembled with the exception of the handle, rear wheels and front wheel.

1. Remove the edger and all parts from the carton. Make certain that all loose parts and literature are removed from carton before carton is discarded.

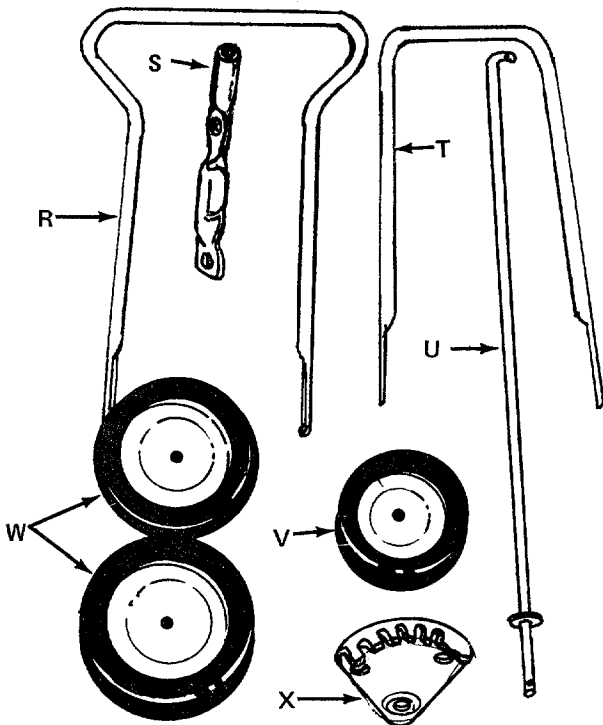


FIGURE 2

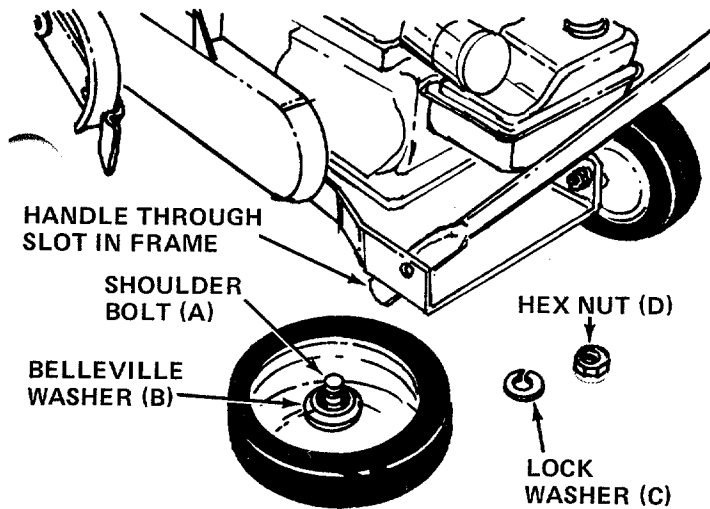


FIGURE 3.

2. Place lower handle into the slots in the rear frame. See figure 3.
3. Line up holes in handle with holes in frame. See figure 3.
4. Secure rear wheels (P) and lower handle (M) to frame with shoulder bolts (A), belleville washers (B) (cupped side of washer against the frame), lock washers (C) and hex nuts (D). See figure 3.

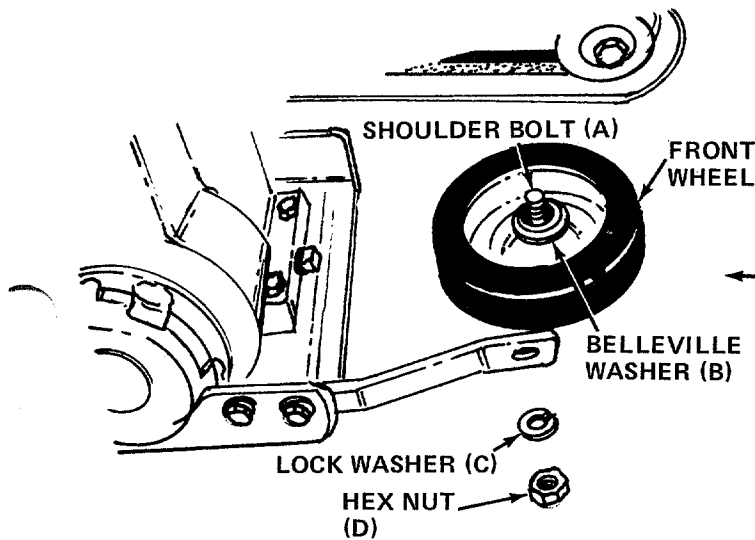


FIGURE 4.

5. Assemble the front wheel (O) as shown in figure 4. Place shoulder bolt (A) through wheel, then belleville washer (B) (between wheel and frame, cupped side against the frame). Secure with lock washer (C) and hex nut (D). See figure 4.

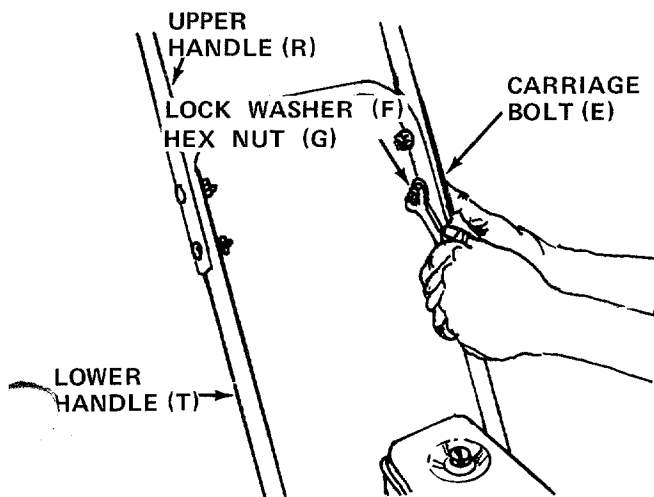


FIGURE 5.

6. Assemble the upper handle (R) to lower handle. Place the head of carriage bolts (E) to the outside of handle. Secure with lock washers (F) and hex nuts (G). See figure 5.

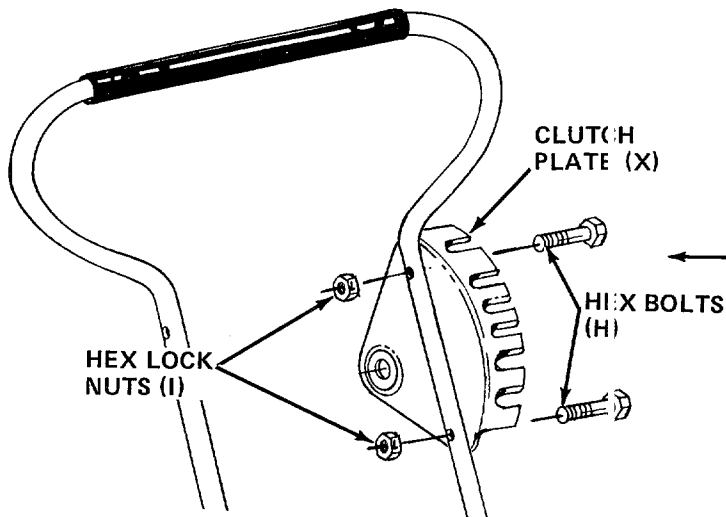


FIGURE 6

7. Place clutch plate (X) on the left hand side of the upper handle as shown in figure 6. Secure in place with hex bolts (H) and hex lock nuts (I).

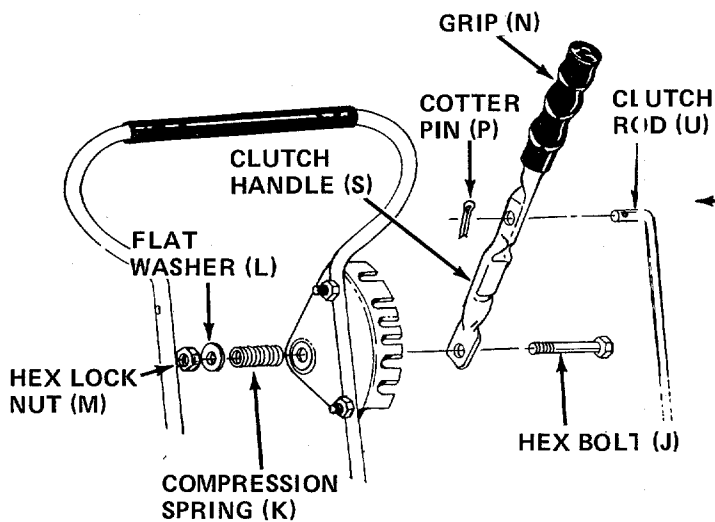


FIGURE 7

8. Place hex bolt (J) through bottom hole in clutch handle as shown in figure 7, then through hole in adjustment bracket.
9. Secure hex bolt with compression spring (K), flat washer (L) and hex lock nut (M) on the inside of the adjustment bracket.

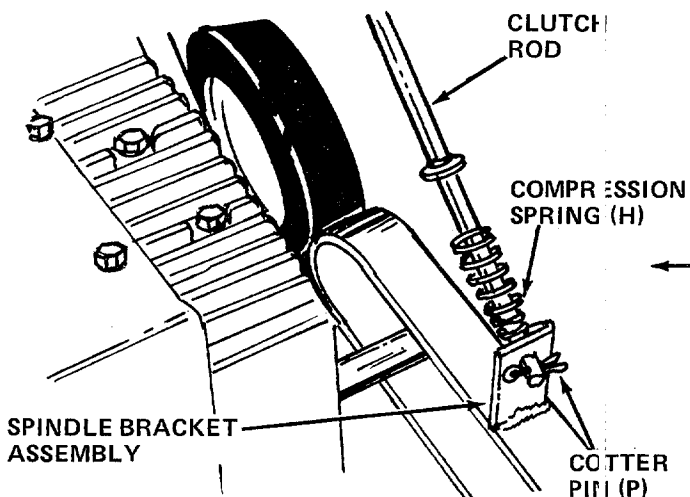


FIGURE 8

10. Place compression spring (O) over straight end of clutch rod (U). Place end of rod in spindle bracket assembly and secure with cotter pin (P). See figure 8.
11. Secure bent end of clutch rod to clutch handle with cotter pin (P). See figure 7.
12. Slip the handle grip (N) on the end of the clutch handle. It will slip on more easily if it is first soaked in warm, soapy water.

OPERATION

1. Fill the crankcase with oil using a high quality detergent oil classified "For Service MS". Use SAE 30 oil. Nothing should be added to the recommended oil.

Place the engine level. Remove oil fill cap. **FILL THE OIL SUMP TO POINT OF OVERFLOW.** Pour slowly. See figure 9.

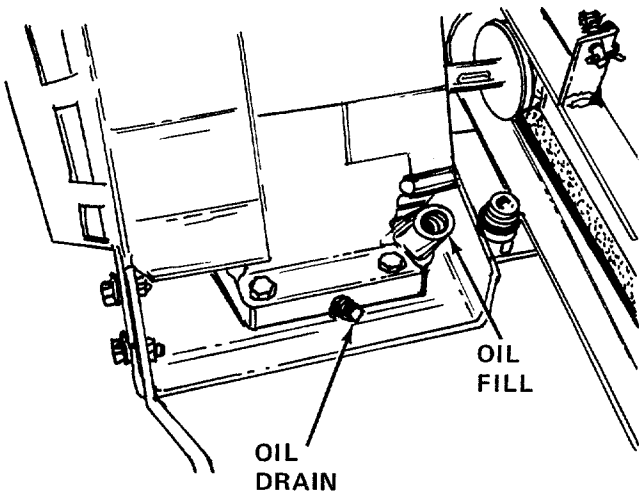


FIGURE 9

Fill the fuel tank with clean, fresh, lead-free, low-lead or regular grade leaded gasoline. **DO NOT MIX OIL WITH GASOLINE.**

3. Pull the choke control out to "choke" position if necessary. See figure 10.

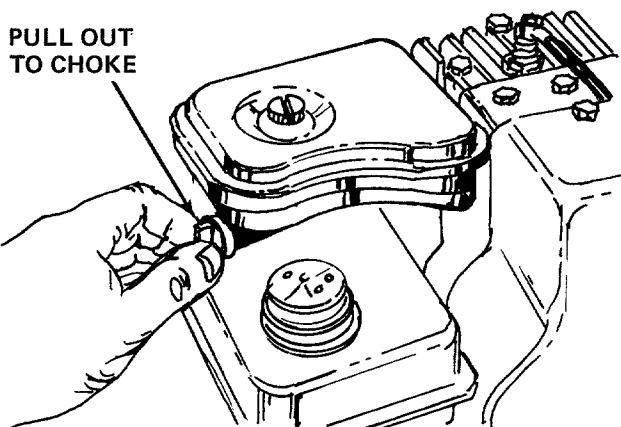


FIGURE 10

4. Grasp the starter handle and pull out the cord rapidly. Return it slowly to the engine.
5. After engine starts, push choke control in gradually.



CAUTION

Rotating cutting blade may throw objects causing personal injury. Always wear safety glasses or some other suitable eye protection at all times the engine is running. Keep area clear of bystanders and do not operate without guards in place.

To stop the edger engine, push the grounding clip against the spark plug. See figure 11.

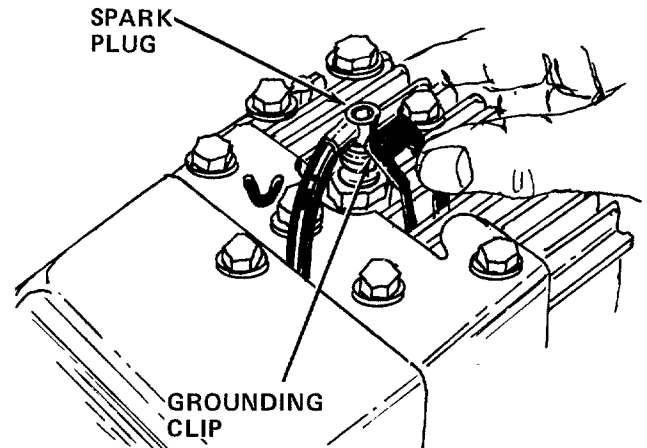


FIGURE 11

Depth Control Adjustment - The clutch handle controls the clutching and declutching of the belt. To declutch, the handle is pulled back toward the operator. To move the clutch handle, first move it to the left so the handle is out of the notch.

ADJUSTMENTS



WARNING

Disconnect the spark plug wire and ground against the engine before performing any adjustments, repairs or maintenance.

Front Wheel Adjustment

The front wheel may be raised or lowered to give added cutting depth.

Loosen the second bolt on the front wheel support bracket. Pivot the bracket up or down to desired height. Retighten bolt. See figure 12.

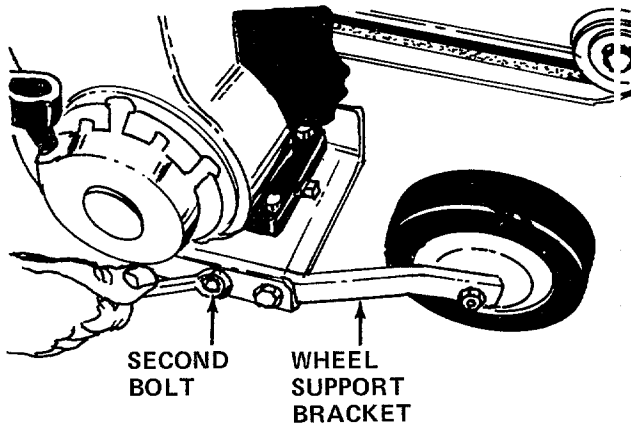


FIGURE 12

LUBRICATION

Engine - Refer to separate engine manual for lubrication instructions.

Wheels - The wheels require no lubrication.

Spindle Bearing - The ball bearing in the spindle is lubricated and sealed at the factory and requires no lubrication. Lubricate all other moving parts with engine oil.

MAINTENANCE



WARNING

Disconnect the spark plug wire and ground against the engine before performing any adjustments, repairs or maintenance.

Blade Removal - Hold head of spindle bolt with a 3/4" or adjustable wrench and remove spindle nut. See figure 13.

Engine Oil - Check oil level before starting engine and after every 5 hours of operation. Add oil as necessary to keep level full to point of overflowing. Before removing plug, clean area around plug to prevent dirt from entering oil fill opening.

Change oil after first 5 hours of operation. Thereafter, change every 25 hours. Change oil while engine is warm. Oil may be drained thru oil drain plug. See figure 9. Crankcase capacity - 1 1/4 pints.

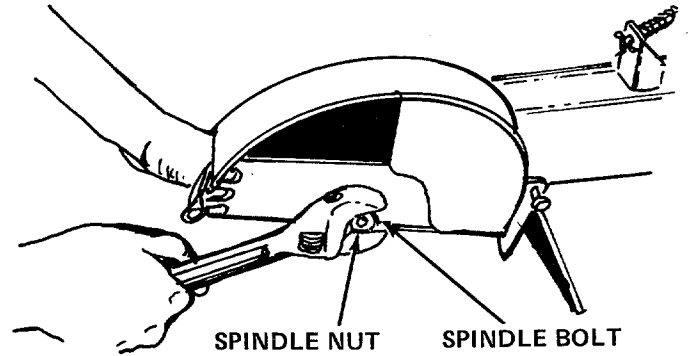


FIGURE 13

Belt Removal - Remove the spark plug wire and ground. Remove the gasoline.

1. Tip the edger back so that it rests on the handle.
2. Remove the cotter pin securing the castle nut on the bottom of belt cover. See figure 14.

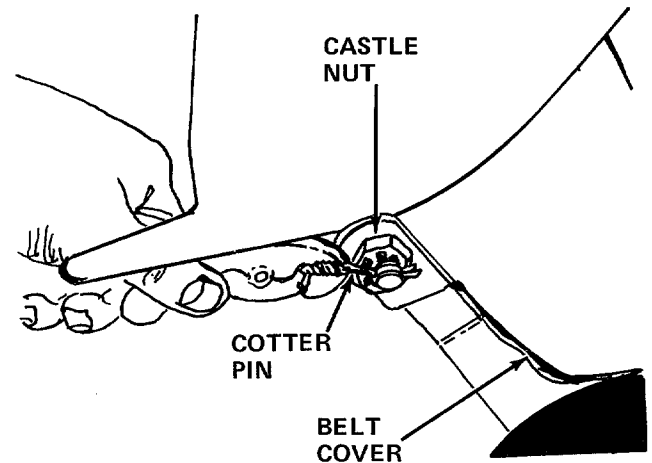


FIGURE 14

3. Lift off the hex castle nut, belleville washer and belt cover. See figure 15.
4. Remove the old belt and replace with new belt.



While the belt cover is removed, it is a good idea to apply a little grease to the pivot point on belt cover. See figure 15.

5. Reassemble the belt cover, making sure the new belt is over the engine pulley.
6. When tightening the castle nut, only tighten enough to line up hole in bolt for cotter pin. **DO NOT OVER TIGHTEN.** Belt cover must pivot freely. See figure 15.

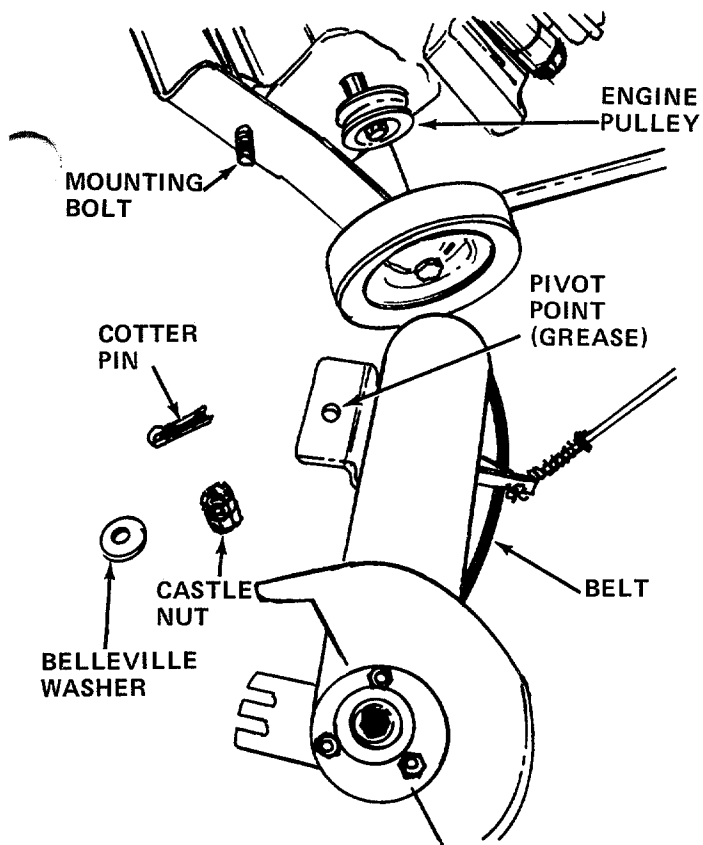


FIGURE 15

7. Set edger back on its wheels. Replace spark plug wire.

OFF-SEASON STORAGE

The following steps should be taken to prepare unit for storage.

1. Clean and lubricate unit thoroughly.
2. Refer to engine manual for correct engine storage instructions.
3. Coat unit's cutting blade with chassis grease to prevent rusting.
4. Store unit in a dry, clean area.



When storing any type of power equipment in an unventilated or metal storage shed, care should be taken to rustproof the equipment. Using a light oil or silicone, coat the equipment, especially springs and bearings.

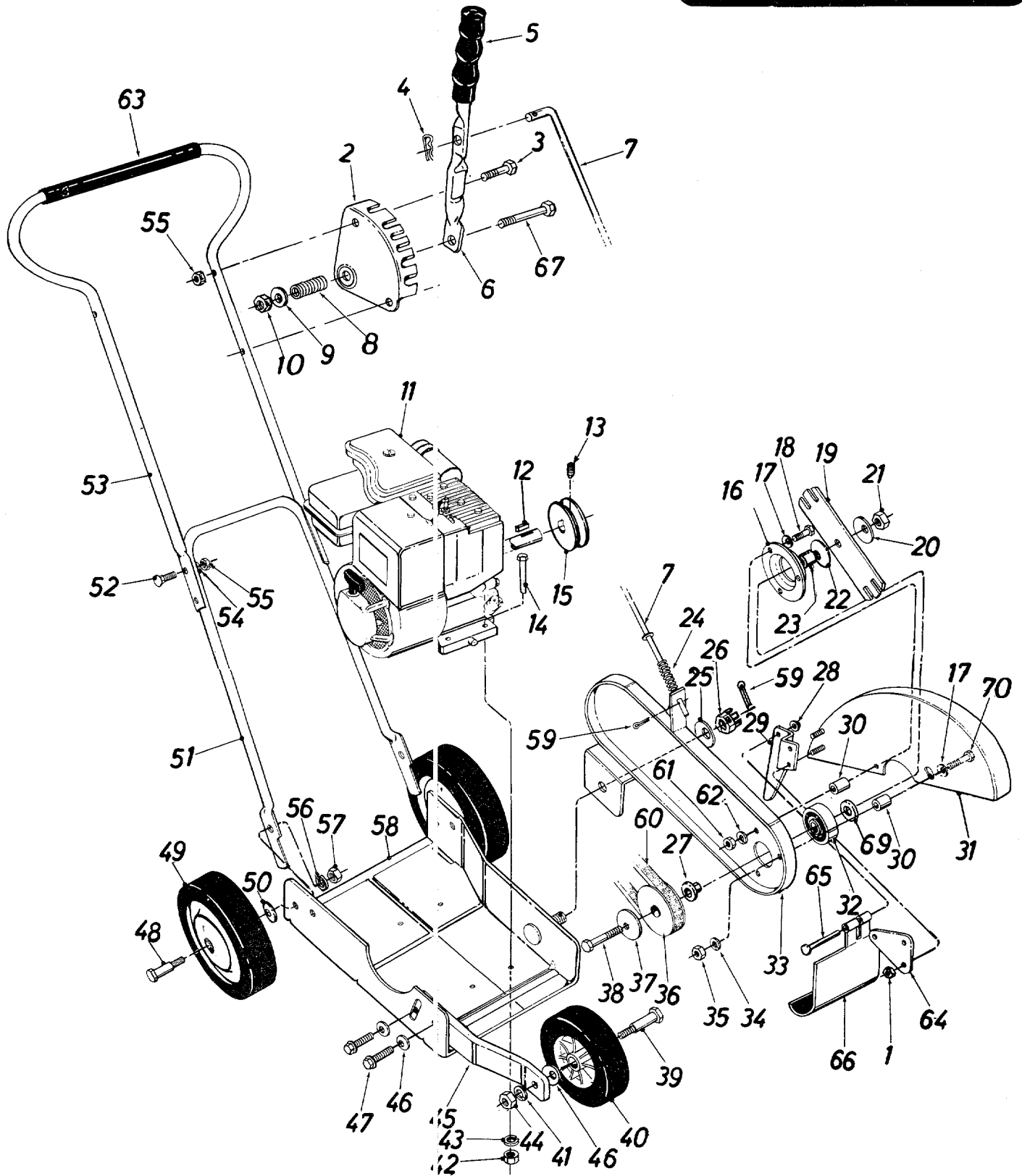
TROUBLE SHOOTING CHART

PROBLEM	CAUSE	REMEDY
1. Engine fails to start.	A. Check fuel tank for gas. B. Spark plug lead wire disconnected. C. Faulty spark plug.	A. Fill tank if empty. B. Connect lead wire. C. Spark should jump gap between control electrode and side electrode. If spark does not jump, replace the spark plug.
2. Hard starting or loss of power.	A. Spark plug wire loose. B. Dirty air cleaner.	A. Connect and tighten spark plug wire. B. Clean air cleaner as described in engine manual.
3. Engine overheats.	A. Carburetor not adjusted properly. B. Air flow restricted. C. Engine oil level low.	A. Adjust carburetor. See engine manual. B. Remove blower housing on engine and clean as described in the engine manual. C. Fill crankcase with the proper oil.
4. Excessive vibration at blade.	A. Spindle bolt bent. B. Ball bearing worn out.	A. Replace spindle bolt. B. Replace ball bearing.
5. Belt slips.	A. Belt worn or stretched. B. Clutch handle will not remain in clutch plate.	A. Replace belt. B. Readjust spring tension at clutch handle.

NOTE: For repairs beyond the minor adjustments listed above, please contact your local service dealer.

Models 596 and 24596

IF YOU WRITE TO US ABOUT THIS ARTICLE
OR IF YOU ORDER REPLACEMENT PARTS AL-
WAYS MENTION THIS MODEL & SERIAL NO.
MODEL



Models 596 and 24596

PARTS LIST FOR MODEL 596 EDGER

REF. NO.	PART NO.	COLOR CODE	DESCRIPTION	NEW PART	REF. NO.	PART NO.	COLOR CODE	DESCRIPTION	NEW PART
1	712-0107		Hex Cent. L.-Nut 1/4-20 Thd.	N	37	736-0112		Bell.-Wash. .535" I.D. x 1.50"	
2	781-0081		Clutch Plate					O.D. x .052	
3	710-0106		Hex Bolt 1/4-20 x 1.25" Lg.*			38	710-0515	Hex Bolt 1/2-20 x 3.50" Lg.*	
4	714-0115		Cotter Pin 1/8" Dia. x 1.0" Lg.*			39	738-0108	Shoulder Bolt .498" Dia. x 1.450	
5	720-0120		Grip	N	40	734-1175	Wheel Ass'y. Comp. 6" Dia. x 1.50		
6	749-0666		Clutch Handle			41	736-0169		L.-Wash. 3/8" I.D.*
7	747-0358		Clutch Rod			42	712-0267		Hex Nut 5/16-18 Thd.*
8	732-0369		Compression Spring .50" O.D. x 1.38" Lg.			43	736-0119		L.-Wash. 5/16" I.D.*
9	736-0264		Fl.-Wash. .34" I.D. x .62" O.D. x .063			44	712-0798		Hex Nut 3/8-16 Thd.*
10	712-0158		Hex Cent. L.-Nut 5/16-18 Thd.			45	13332		Front Wheel Support
11	-----		Engine			46	736-0105		Bell.-Wash. .400" I.D. x 88" O.D. x .060
12	714-0105		Sq.Key 3/16 x 1.0" Lg.*			47	710-0623		Hex Wash. Hd. Self Tap Scr. 3/8-16 x .75" Lg.
13	710-0938		Set Scr. 1/4-28 x 1/4" Lg.			48	738-0108		Shoulder Bolt .498" Dia. x 1.450
14	710-0442		Hex Bolt 5/16-18 x 1.50" Lg.*			49	734-1176		Wheel Ass'y. Comp. 7" Dia. x 1.50
15	711-0421		Engine Pulley		50	736-0105	Bell.-Wash. .400" I.D. x 88" O.D.		
16	08253		Bearing Housing		51	749-0453	Lower Handle		
17	736-0242		Bell.-Wash. .34" I.D. x 88" O.D. x .060		52	710-0111	Carriage Bolt 1/4-20 x 1.25" Lg.*		
18	710-0528		Hex Bolt 5/16-18 x 1.25" Lg.*		53	749-0452	Upper Handle		
19	09954		Blade		54	736-0329	L.-Wash. 1/4" I.D. *		
20	736-0112		Bell.-Wash. .535" I.D. x 1.50" O.D. x .052		55	712-0287	Hex Nut 1/4-20 Thd.*		
21	712-0239		Hex Cent. L.-Nut 1/2-20 Thd.		56	736-0169	L.-Wash. 3/8" I.D.*		
22	736-0112		Bell.-Wash. .535" I.D. x 1.50" O.D. x .052		57	712-0798	Hex Nut 3/8-16 Thd.*		
23	711-0564		Spacer		58	13330 --- 615	Base Ass'y.		
24	732-0330		Compression Spring .57" O.D. x 1.92" Lg.		59	714-0115	Cotter Pin 1/8" Dia. x 1.0" Lg.*		
25	736-0112		Bell.-Wash. .535" I.D. x 1.50" O.D. x .052		60	754-0142	3V-Belt 31.2" Lg.		
26	712-0114		Hex Castle Nut 1/2-20 Thd.		61	712-0267	Hex Nut 5/16-18 Thd.*		
27	711-0716		Shoulder Spacer		62	736-0119	L.-Wash. 5/16" I.D.*		
28	726-0111		Push Cap		63	718-0144	Grip (Optional)		
29	09952		Guide		64	14427	Flap Bracket		
30	748-0298		Spacer .354" I.D. x .635" O.D. x .510" Lg.		65	711-0720	Hinge Pin		
31	14341 --- 497		Blade Guard Ass'y.		66	731-0532	Debris Deflector		
32	741-0919		Ball Bearing .787" I.D. x 1.85" O.D. x .551		67	710-0380	Hex Bolt 5/16-18 x 1.75" Lg.*		
33	13333 --- 497		Spindle Bracket Ass'y.		69	736-0272	Fl.-Wash. .51 I.D. x 1.00 O.D. x .060		
34	736-0119		L.-Wash. 5/16" I.D.*		70	710-0116	Hex Bolt 5/16-18 x 2.00" Lg.*		
35	712-0267		Hex Nut 5/16-18 Thd.						
36	756-0361		Pulley						

*For faster service obtain standard nuts, bolts and washers locally. If these items cannot be obtained locally, order by part number and size as shown or parts list.

The engine is not under warranty by the edger manufacturer. If repairs or service is needed on the engine, please contact your nearest authorized engine service outlet. Check the "Yellow Pages" of your telephone book under "Engines - Gasoline."



MTD PRODUCTS INC YARD-MAN COMPANY

P.O. BOX 36900 • CLEVELAND OHIO 44136